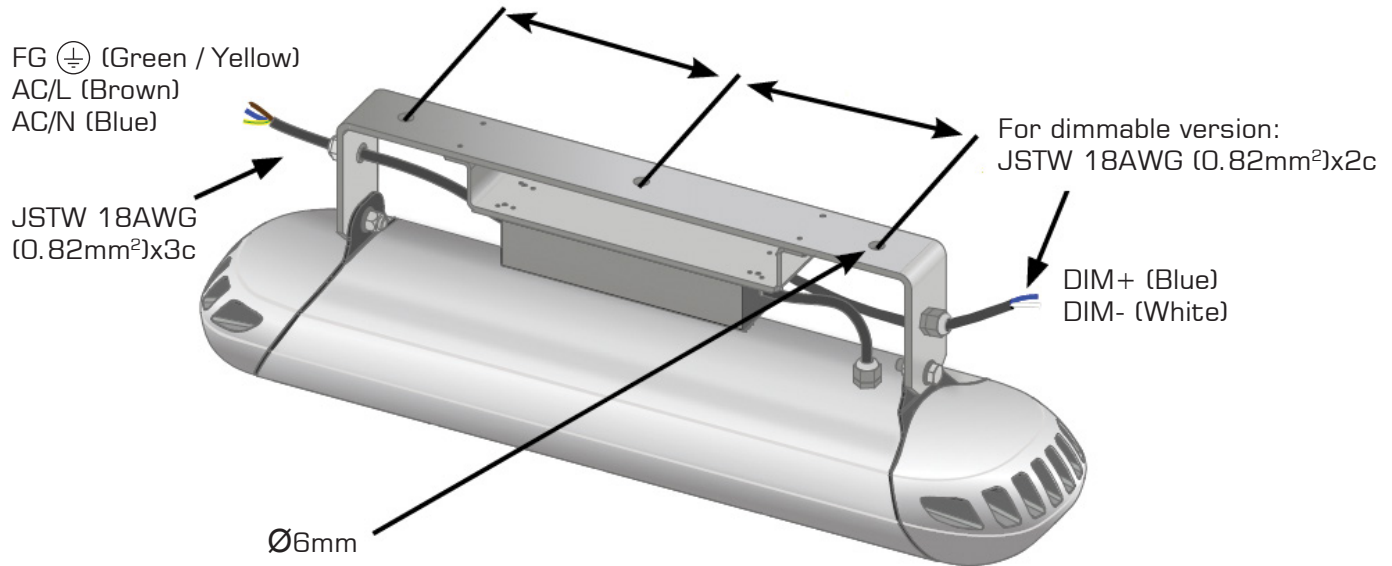


## Industrial LED Series High Bay (HB)



### Overview

The HB series is a high performance light fixture specifically designed for demanding industrial areas. Combining light flux up to 22,500 Lumen in 4 different distribution patterns, this series covers the majority of the lighting needs in facility lighting. The results achieved in installation are energy savings over 50% over common TL and HID applications\*, delivering more light with a better distribution, offering better visibility and acuity on the workfloor, thus increased safety on the shopfloor.

The HB series is available in dimmable versions, offering the possibility to use advanced control systems such as wireless networks, daylight harvesting or motion detection.

### Benefits

- High energy savings due to efficient light sources, ensuring a short payback time
- Lifetime over 50,000 hours
- Maintenance free; ideal for high mounting heights > 6m
- Stable light output at Ta: -40°C to +50°C
- Instant start, hot restrike; no downtime in production
- Available with 4 light distributions & 5 Wattage settings
- Dimmable (Optional): available with dimmable power supply (1-10V, PWM dimming or adjustable resistor)

### Applications

- Warehouses
- Cold Storage Areas
- Stock Rooms
- Aisle Lighting
- Production Facilities
- High Mast Application

The Natural Selection In LED Lighting

## Features

Input Power	90 / 120 / 150 / 200 / 240
Rated Life	>50,000 Hours @ 70% Lumen Maintenance (L70)
Voltage	120 - 277V ~ 50 - 60Hz
Power Factor	>0.9
CRI	70
CCT	4,000K - 6,000K
Housing	Die Cast and Extruded Aluminium
Finish	Grey
Optics	Narrow Flood / Medium Flood / Wide Flood / R5
Operating Temperature	-40°C to +50°C
Mounting Optics	Surface
IP Rating	IP65

## Ordering Information

Family	Wattage	Optics	Dimmable	Colour
HB Grey	90 90W (2 panel)		ND (standard) DIM (Dimmable)	Grey
	120 120W (2 panel)	RS (for 90W)		
	150 150W (2 panel)	NFL (Narrow Flood)		
	200 200W (3 panel)	MFL (Medium Flood)		
	240 240W (4 panel)	WFL (Wide Flood)		

## Specifications

	90W	120W	150W	200W	240W
Lumen Output	8,550Lm	11,350Lm	14,000Lm	19,000Lm	22,500Lm
Input Power	90W	120W	150W	200W	240W
Efficacy	95 (Lm/W)	94 (Lm/W)	93 (Lm/W)	95 (Lm/W)	94 (Lm/W)