

# Ventura

The Structural Steel Division Of LED Evolution

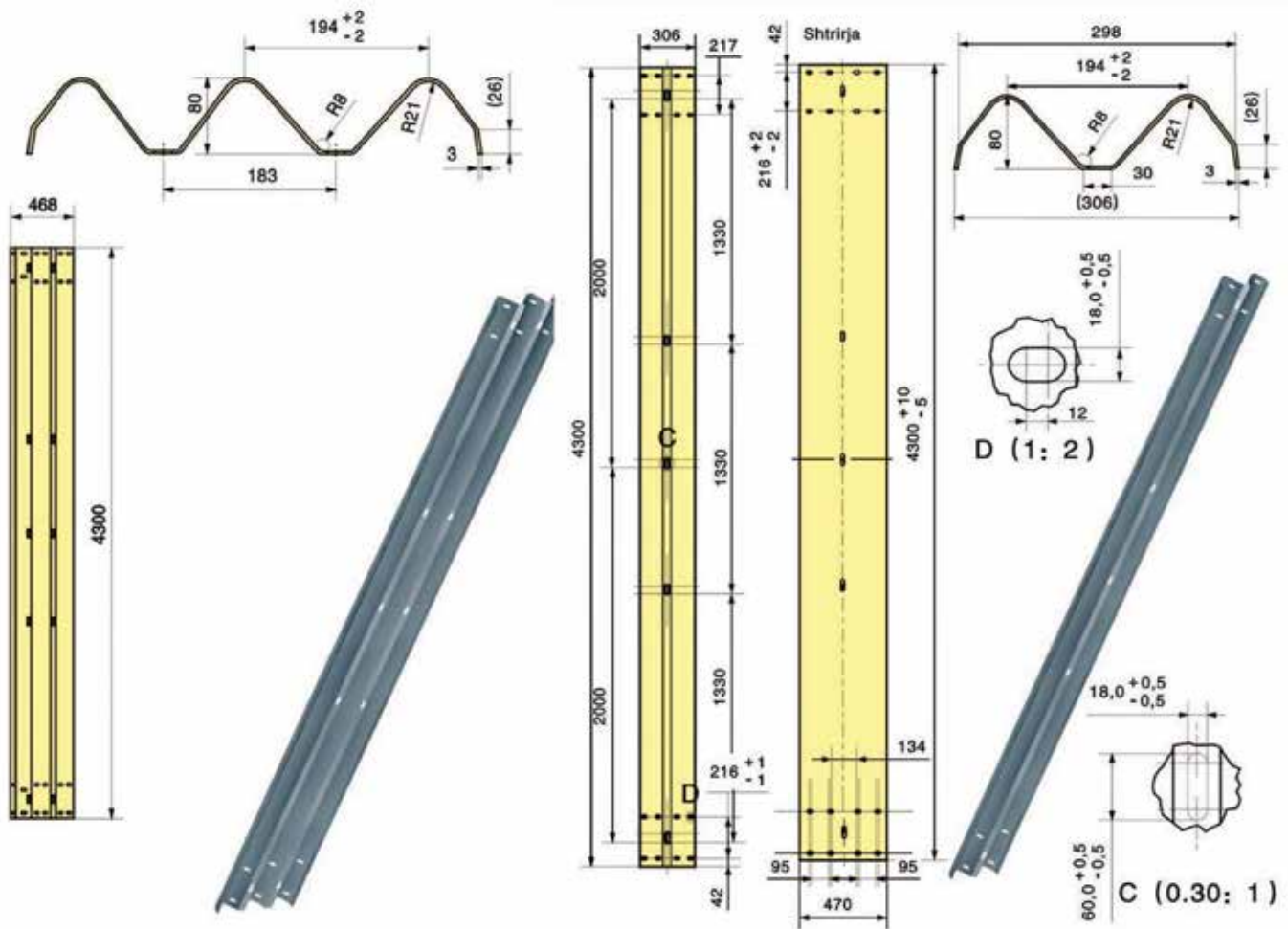


## METAL CRASH BARRIERS

### Technical Datasheet

Ventura Lighting (Europe) - 1000 North Circular Road, London NW2 7JP

Web: [www.venturalighting.co.uk](http://www.venturalighting.co.uk) Tel: +44 (0)20 8208 4081



## Metal Crash Barriers

Metal crash barriers are simply put, a road safety system which prevents vehicles from colliding with obstacles such as boulders, walls, buildings, and also prevents vehicles from entering carriageways with oncoming traffic, large storm drains, steep slopes or deep water. Highly experienced in this market space, Ventura has been manufacturing and supplying metal crash barriers for the past 20 years.

### FEATURES

- Our tested and proven barriers ensure minimum damage to the vehicle and its occupants
- During collision, the W beam absorbs maximum energy by flattening out and laterally restrains the vehicle from veering over
- Prevents the vehicle from skidding back onto the carriageway by controlled exit angles by gradual deceleration and effective redirection of the vehicle back onto the road
- Provides a good visual guide to the driver, especially at night time
- Enables quick repairs in case of accidents
- All components are hot dip galvanized for longer life

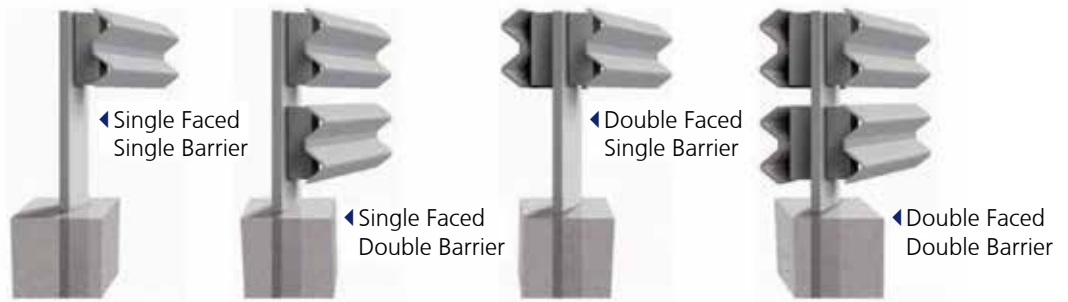
### APPLICATIONS

- As restraining barriers on embankments of single and dual carriageways
- As containment barriers on medians and grade separators of four/six lane roads
- As protection barriers/containment barriers for hilly terrains
- As racecar crash guards or car racing tracks
- For interior traffic safety at airports, industrial plants handling hazardous chemicals, mines, collieries, etc
- As fencing barriers for country border lines, expanse lands, water bodies, bridge piers, signposts, rocky areas etc

## TYPES OF BARRIERS

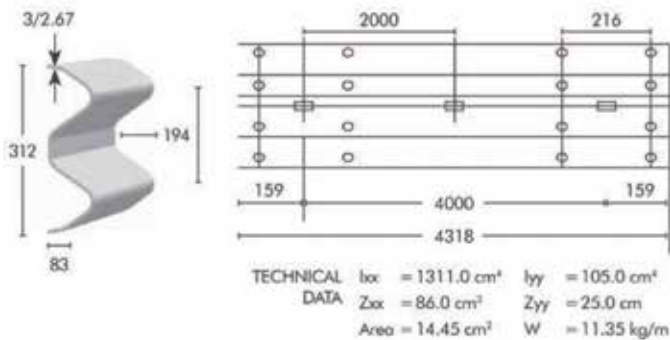
Metal crash barriers conforming to all major specifications like:

- Ministry of Road Transport & Highways, India (MORTH)
- American (AASHTO M 80)
- Euronorm (EN 1317 - 1&2)

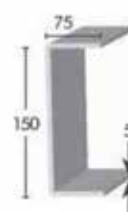


## STANDARD SPECIFICATION

### W Beam



### Post & Spacer



#### TECHNICAL DATA

$I_{xx}$	$= 479.27 \text{ cm}^4$	$I_{yy}$	$= 77.51 \text{ cm}^4$
$Z_{xx}$	$= 63.9 \text{ cm}^3$	$Z_{yy}$	$= 14.45 \text{ cm}^3$
Area	$= 13.96 \text{ cm}^2$	W	$= 10.96 \text{ kg/m}$

Metal crash barriers as per "The Ministry of Road Transport & Highways, India" (MORTH), Clause 80 and:

- Circular No. RW/NH/33022/1/94 DO: III dated 24th June 1994
- Circular No. RW/NH/33044/2/88/S & R: dated 9th May 2000

## COMPONENTS OF METAL CRASH BARRIERS

### W Beams

- Cold roll formed in thickness of 3.00mm / 2.67mm
- Raw material conforming to IS 5986 Grade: Fe360 / Fe 410 / Fe 510, IS 10748 Grade II or eqvt
- Hot dip galvanized to 550 gms/sq.m

### End Specials

- 3.00mm / 2.67mm thick turned down end terminals
- 3.00mm / 2.67mm thick press formed end terminals (fish tail)
- 3.00mm / 2.67mm U shaped terminals as median end terminals

### Fastners

- M20 and M16 fastners as per IS 1367 Grade 4.6/8.8
- Hot dip galvanized

### Posts & Spacer

- Cold roll formed in thickness of 5.00mm / 4.20mm
- Raw material conforming to IS 5986 Grade: Fe360 / Fe 410, IS 10748 Grade II or eqvt
- Hot dip galvanized to 550 gms/sq.m

### Anchorage

- Anchored in ground as per Clause 810
- Anchored in concrete on shoulders (if specified)
- Anchored in concrete with base frame on bridges

## QUALITY

Accredited with ISO 9001 - 2000 procedures, the quality of the products supplied are governed by the self-imposed discipline code of the company which ensures:

- Respect for the contract obligations
- Quality of design
- Guaranteed characteristics of the product and its performance
- Traceability of the input materials
- Transparency of product inspections



## OTHER VENTURA PRODUCTS

- LED Consumer Lighting
- LED Industrial Lighting
- LED Outdoor Lighting
- LED Landscape Lighting
- Sports Lighting Solutions
- Sports Lighting Luminaires & Lamps
- Sports Lighting Cross Arm & Service Baskets
- Sports Lighting Towers
- Landscape Lighting - Post Top Columns
- Landscape Lighting - Bollards
- Landscape Lighting - Decorative Poles
- Landscape Lighting - Other Products
- High Mast
- Floodlight Columns
- Monopoles
- Straight Tubular Poles
- Straight Octagonal Poles
- Straight Conical Poles
- Mid Hinged Poles
- Base Hinged Poles
- Slip Base Poles
- High Mast Lowering Arrangements
- High Mast Winches
- High Mast Power Tools
- Foundation Accessories
- Mounting Brackets
- Anti Clamp Devices
- LED Drivers
- Street & Area Light Controllers
- CCTV Poles Group
- High Mast Signage
- Parking Signage
- Traffic & Road Signs
- Traffic Signal Poles
- Crash Guards
- Road Barriers
- Other Bespoke Customised Steel Structures
- Transmission Towers
- Tubular Steel Structures
- Wind Turbine Lattice Structures
- Communication Towers
- H-Frame Accessories
- Distribution & Sub-Station Structures
- Line Hardware
- Highway Products
- Conveyor Supports & Structures
- Gratings
- Cable Trays
- Earthing Hardware
- Lattice Pole For CCTV Mounting
- Lattice Pole For Area Lighting
- Lattice Pole For Sports Lighting
- Lattice Pole For Antenna Mounting
- Solar Lighting Poles
- Solar Accessories
- Static PV Racks
- Sun Tracker Racks (CSP)
- Horizontal Axis Wind Turbines
- Vertical Axis Wind Turbines
- Sports Lighting Controllers

# Ventura

The Structural Steel Division Of LED Evolution

Ventura Lighting (Europe) - 1000 North Circular Road, London NW2 7JP

Web: [www.venturalighting.co.uk](http://www.venturalighting.co.uk) Tel: +44 (0)20 8208 4081